

# Powerbor®

## POWERBOR - PB700 COMBI DRILL OWNERS MANUAL



### WARNING !

When using electric power tools basic safety precautions should always be used to reduce the risk of fire, electric shock and personal injury.

Read all of these instructions before attempting to operate this product and save these instructions



Machine shown  
PB700 COMBI  
without the safety  
guard for clarity.

G & J Hall Tools Inc. 830 Hanley Industrial Court, Brentwood, MO 63144 USA  
Phone: (314) 968-5040 Fax: (314) 968-5543 e-mail: sales@gjhalltools.com



## MACHINE SPECIFICATION









### PB700 COMBI

Machine Height	17 <sup>5</sup> / <sub>16</sub> " (slide in down position)	
Machine Width	6 <sup>5</sup> / <sub>16</sub> " (without handles)	
Machine Depth	13"	
Stroke	7 <sup>15</sup> / <sub>32</sub> "	
Machine Weight	48lb (tool and detachable parts)	
Rated Motor Power	1800W	
Voltage	110V / 230V AC	
Rated Current	17.8A / 8.7A	
IP Rating	IP20	
Spindle Speed - load	60 - 140 / 200 - 470 rpm ( <i>with load feedback compensation</i> )	
Spindle Speed - no	60 - 140 / 200 - 470 rpm	
No. of speeds	2 Gears	
FWD/REV	Yes	
Power Cord Length	8' 2"	
Insulation Class	CLASS I	
Annular Cutter Capacity	Ø2 <sup>3</sup> / <sub>4</sub> " (needs optional 1 <sup>1</sup> / <sub>4</sub> " arbor above Ø2 <sup>1</sup> / <sub>2</sub> " )	
Standard Cutting Depth	2"	
Twist Drill Capacity	Ø1 <sup>1</sup> / <sub>4</sub> " with MT3 shank	
Tapping Capacity	<sup>1</sup> / <sub>4</sub> " - 1"	
Countersink	Yes	
Chuck Type	<sup>3</sup> / <sub>4</sub> " Weldon Shank Arbor or MT3	
Spindle Fitting	MT3	
Magnet Dimensions	7 <sup>7</sup> / <sub>8</sub> " x 3" <sup>15</sup> / <sub>16</sub> "	
Magnet Power	75W	
Magnetic Adhesion	3300lb (measured on 1" thick plate)	
Minimum Plate Thickness	<sup>3</sup> / <sub>8</sub> " (minimum recommended)	
Sound Pressure Level	86 dBA	Uncertainty 3 dBA
Sound Power Level	99 dBA	Uncertainty 3 dBA
SPL at Operators Head	89 dBA (1.55m high x 1m distance)	Uncertainty 3 dBA
Hand-arm Vibration	Less than 2.5 m/s <sup>2</sup>	Uncertainty 1.5m/s <sup>2</sup> .

The vibration measurement was made under standard conditions in accordance with the requirements of BS EN 60129-1:2009.

The actual vibration level during use will depend on the workpiece stability/rigidity and the condition of the cutter used. These factors may increase the vibration experienced by the operator, each individual application of the tool should be assessed for the effect of these application variable factors, before exposure.

## EXPLANATION OF SYMBOLS USED

Symbol	Meaning
	Eye protection should be worn at all times when using this tool.
	Hard Hat—Head protection should be worn at all times whilst using this tool, to protect from overhead hazards
	Ear protection / Ear defenders should be worn at all times whilst using this tool, this tool exceed 85dB(A)
	Electrical enclosure - risk of electric shock.
	Read and understand the instruction manual - before operating this tool.
	Caution ! / Attention !
	Instruction Manual
	WEEE - Waste of Electrical and Electronic Equipment This tool should be disposed of as Electrical & Electronic Waste.

## INTENDED OF USE OF POWER TOOL

This power tool is intended to be used for drilling holes with annular cutters, twist drills, counterbores, countersinks and step drills in an industrial environment.

The machine is meant to be held onto a magnetisable surface using its electro-magnetic base.

The power tool should be used in a weather protected environment and be used with the accessories provided or Powerbor recommended accessories only.

The power tool can be used vertically, horizontally and upside down, provided the magnetic adhesion and work environment allow.

Cutting paste should be used rather than cutting fluid when using the machine in the upside down position to prevent ingress of fluids into the electrical system.

## PROHIBITED USE OF POWER TOOL

This power tool should never be used without a ground or protective earth connection.

This power tool should not be used in a potentially explosive environment.

This power tool should not be use in a wet or humid environment where water could be drawn into the power tools cooling and ventilation system.

If the power tool is used in the upside down position, cutting fluids should not be used to prevent ingress of fluids into the electrical system, cutting paste should be used instead.

This power tool should never be positioned on a workpiece between the electrode and ground of an arc type welder. Damage to the machine will result as the welder will ground through the power tools ground or earth cable.

This power tool should not be used where the voltage is abnormally lower than the rated voltage, subject to voltage tolerances. Check the power tool rating plate, check the voltage available.

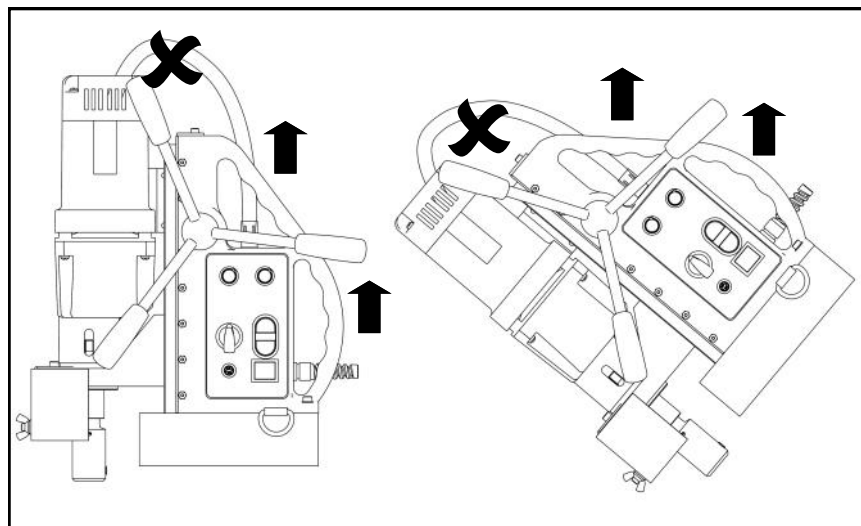
Operating on a lower than rated voltage will result in the electro magnet being at reduced power and the machine may become insecure whilst drilling.

## LIFTING HANDLES - TRANSPORTATION

When lifting the tool the lifting handles shown in the diagram on the right should be used.

The drill unit should be lowered to its lowest position for improved stability.

Under no circumstances should the motor cable be used for lifting the power tool.



## **PERSONAL SAFETY AND USE OF PPE**

### **Attention**

Always watch what you are doing and use common sense at all times when operating power tools.

Do not use the power tool whilst tired, or under the influence of drugs, alcohol or medication.

A moment of inattention when using a power tool may result in personal injury.

### **Clothing**

Always dress appropriately, do not wear loose clothing or jewellery.

Contain long hair, keep your hair, clothing and gloves away from any moving parts.

Loose clothes, jewellery or long hair can be caught in moving parts.

### **Accidental Start-up**

Be sure all switches are in their OFF positions before plugging in the machine.

When carrying or moving tools always keep your fingers away from the switches

Plugging in a power tool with the switches in the ON position could invite accidents.

### **Intentional Start-up**

Before starting up the power tool always remove any adjusting keys or tools.

A wrench key left in a rotating part of the power tool may result in injury.

### **Over Reaching**

Never over reach when using a power tool. Always ensure you have a proper stable footing and balance at all times before operating the tool.

Proper footing and balance enables better control of the tool in case of unexpected situations.

### **Personal Protective Equipment**

Always wear eye protection.

Always wear ear protection.

Always wear head protection.

Always wear non-skid safety shoes.

Where appropriate wear a dust mask and gloves depending on the working environment.

**WORK IN A SAFE MANNER AT ALL TIMES**

## **SPECIAL SAFETY PRECAUTIONS - MAGNETIC DRILLS**

### **Safety Strap**

The electro-magnet base on this power tool can release if there is a interruption in power supply or electrical malfunction.

The safety strap provided should be used at all times to prevent the power tool from falling in the event of power failure or electrical malfunction, possibly causing injury.

The safety ratchet strap should be attached to the fixing points provided and checked for security before commencing any drilling operation.

### **Magnetic Adhesion**

The magnets strength depends on the thickness and condition of the work piece material. Always ensure that the work piece has a minimum thickness of 1/2" to ensure there is adequate magnetic adhesion.

If the work piece is less than 1/2" then a piece of steel plate 1/2" in thickness and larger than the magnet footprint must be inserted between the magnet and work piece to supplement the magnetic adhesion.

The surface on which the magnet is placed should be clean, flat and clear from debris or rust. The base of the magnet should be inspected to ensure it is also clean flat and clear of debris.

Always check the magnet is securely adhered to the work piece before commencing any drill operations.

Do not use other appliances on the same power receptacle, any variation in voltage cause by other appliances could result in the magnet releasing. Always us the tool on its own power receptacle.

This power tool can be used on a vertical surface or upside down provided there is sufficient magnetic adhesion, extra care should be taken when drilling vertically or upside down . When using the machine vertically or upside down it is possible hot and sharp swarf or chips may fall. Always wear appropriate personal protective equipment

### **When Cutting**

When using coolant or lubricants, ensure coolants and lubricants do not enter the drill units ventilation/cooling openings.

If the drill is used in the upside down position, use cutting paste instead of cutting fluid to prevent the possibility of fluids entering the electrical system.

When using annular cutters ensure that the slug ejected at the end of the cut will not endanger anyone in the vicinity, if working at height some form of collection device for the ejected slug may be necessary.

Care should be taken with the ejected slug, this will be both hot and sharp, gloves should be worn when handling the slug.

## **ELECTRICAL SAFETY**

### **Earthing / Grounding.**

This power tool requires a ground or earth connection.

The power tool must be plugged into an outlet properly installed and grounded or earthed in accordance with all local codes and regulations.

Never remove or tamper with the ground or earth prong in any way.

Do not use adaptor plugs.

If the tool should electrically malfunction or breakdown, grounding or earthing will provide a low resistance path to carry harmful electricity away from the user.

### **Power Cord**

Never carry the power tool by its power cord or electrical hose.

Keep power cords away from heat, oil and sharp edges.

Never pull the power cord to disconnect it from the receptacle.

Always carry the power tool properly with the carrying handles provided.

Periodically inspect the power cord for damage,

If any damage is found the power tool should not be used until the damage has been repaired by a qualified electrician.

A damaged power cord will increase the risk of electric shock.

### **Using the Power Tool Outside**

Do not expose the power tool to rain or wet conditions, water entering the power tool will increase the risk of electric shock.

When operating the power tools outside, if required, an extension cord rated for outdoor use should be used.

These extension cords are rated for outdoor use and reduce the risk of electric shock.

### **Electrical Enclosure**

The electrical components on this power tool are housed within the main body casting, this and the side panels of the main body create an electrical enclosure.

The panels should not be removed except by a suitable trained or qualified electrician.

## **DUST EXTRACTION**

This tool is intended for drill holes in ferrous metals, if using on materials such as cast iron where dust might be created, suitable dust extraction should be used.

This is both to protect the operator and to protect the motor inlet from ingress of harmful dust particles.

Operators should wear suitable dust masks if dust is created whilst working.

## GENERAL SAFETY

- 1 - Keep work area clear  
Cluttered areas and benches invite injuries.
- 2 - Consider work area environment  
Do not expose tools to rain.  
Do not use tools in damp or wet locations.  
Keep work area well lit.  
Do not use tools in the presence of flammable liquids or gases.
- 3 - Guard against electric shock  
Avoid body contact with earthed or grounded surfaces  
(e.g. pipes, radiators, ranges, refrigerators).
- 4 - Keep other persons away  
Do not let persons, especially children, not involved in the work touch the tool or the extension cord and keep them away from the work area.
- 5 - Store idle tools  
When not in use, tools should be stored in a dry locked-up place, out of reach of children.
- 6 - Do not force the tool  
It will do the job better and safer at the rate for which it was intended.
- 7 - Use the right tool  
Do not force small tools to do the job of a heavy duty tool.  
Do not use tools for purposes not intended; for example do not use circular saws to cut tree limbs or logs.
- 8 - Dress properly  
Do not wear loose clothing or jewellery, they can be caught in moving parts.  
Non-skid footwear is recommended when working outdoors.  
Wear protective hair covering to contain long hair.
- 9 - Use protective equipment  
Use safety glasses.  
Use face or dust mask if working operations create dust.
- 10 - Connect dust extraction equipment  
If the tool is provided for the connection of dust extraction and collecting equipment, ensure these are connected and properly used.
- 11 - Do not abuse the cord  
Never yank the cord to disconnect it from the socket. Keep the cord away from heat, oil and sharp edges.
- 12 - Secure work  
Where possible use clamps or a vice to hold the work. It is safer than using your hand.
- 13 - Do not overreach  
Keep proper footing and balance at all times.

## GENERAL SAFETY - CONT.

- 14 - Maintain tools with care
  - Keep cutting tools sharp and clean for better and safer performance.
  - Follow instruction for lubricating and changing accessories.
  - Inspect tool cords periodically and if damaged have them repaired by an authorized service facility.
  - Inspect extension cords periodically and replace if damaged. Keep handles dry, clean and free from oil and grease
- 15 - Disconnect tools
  - When not in use, before servicing and when changing accessories such as blades, bits and cutters, disconnect tools from the power supply.
- 16 - Remove adjusting keys and wrenches
  - Form the habit of checking to see that keys and adjusting wrenches are removed from the tool before turning it on.
- 17 - Avoid unintentional starting
  - Ensure switch is in "off" position when plugging in.
- 18 - Use outdoor extension leads
  - When the tool is used outdoors, use only extension cords intended for outdoor use and so marked.
- 19 - Stay alert
  - Watch what you are doing, use common sense and do not operate the tool when you are tired.
- 20 - Check damaged parts
  - Before further use of tool, it should be carefully checked to determine that it will operate properly and perform its intended function.
  - Check for alignment of moving parts, binding of moving parts, breakage of parts, mounting and any other conditions that may affect its operation.
  - A guard or other part that is damaged should be properly repaired or replaced by an authorized service centre unless otherwise indicated in this instruction manual.
  - Have defective switches replaced by an authorized service centre.
  - Do not use the tool if the switch does not turn it on and off.
- 21 - Warning
  - The use of any accessory or attachment other than one recommended in this instruction manual may present a risk of personal injury.
- 22 - Have your tool repaired by a qualified person
  - This electric tool complies with the relevant safety rules. Repairs should only be carried out by qualified persons using original spare parts, otherwise this may result in considerable danger to the user.

## UNPACKING AND ASSEMBLY

The Powerbor PB700 Combi comes in a rugged blow moulded carrying case  
Before first use:-

1. Remove the machine from the carrying case. (Note:- 48lb weight)
2. Fit the three screw in handles to the pinion shaft.
3. Fit the safety guard as shown in the instructions, see “Using the safety guard”
4. Fit the arbor, as detailed in the instructions under “Fitting the MT3 Arbor”

## SETTING UP THE TOOL

Before using the tool please ensure you have read the sections on the intended and prohibited of use of the machine.

The machine should only be used for hole drilling whilst attached to the work piece by the electro-magnetic base.

This machine is intended for use at any angle, but only if the electro-magnet is in full working order and has sufficient hold on the work piece material.

The safety strap should be attached in case of power failure or machine malfunction.

The safety strap should NOT be used as an alternative to the magnet for clamping purposes.

Always ensure the strap is correctly fitted and the machine is secure BEFORE starting the

## CONNECTION TO THE POWER SUPPLY

Connection to the power supply is by 8' 2" long cable and 3 pin plug.

This tool is CLASS I insulation and MUST be earthed, any power socket the tool is connected to must have an earth.

Before the power cord is connected the magnet switch should be in the OFF position.

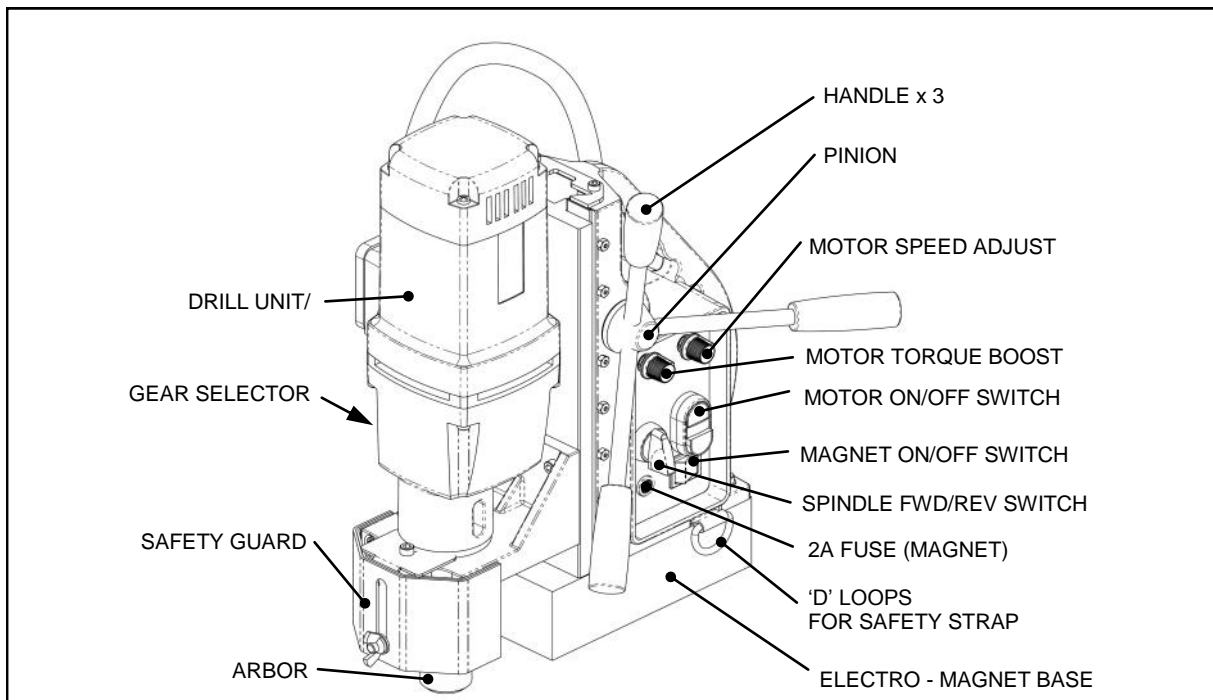
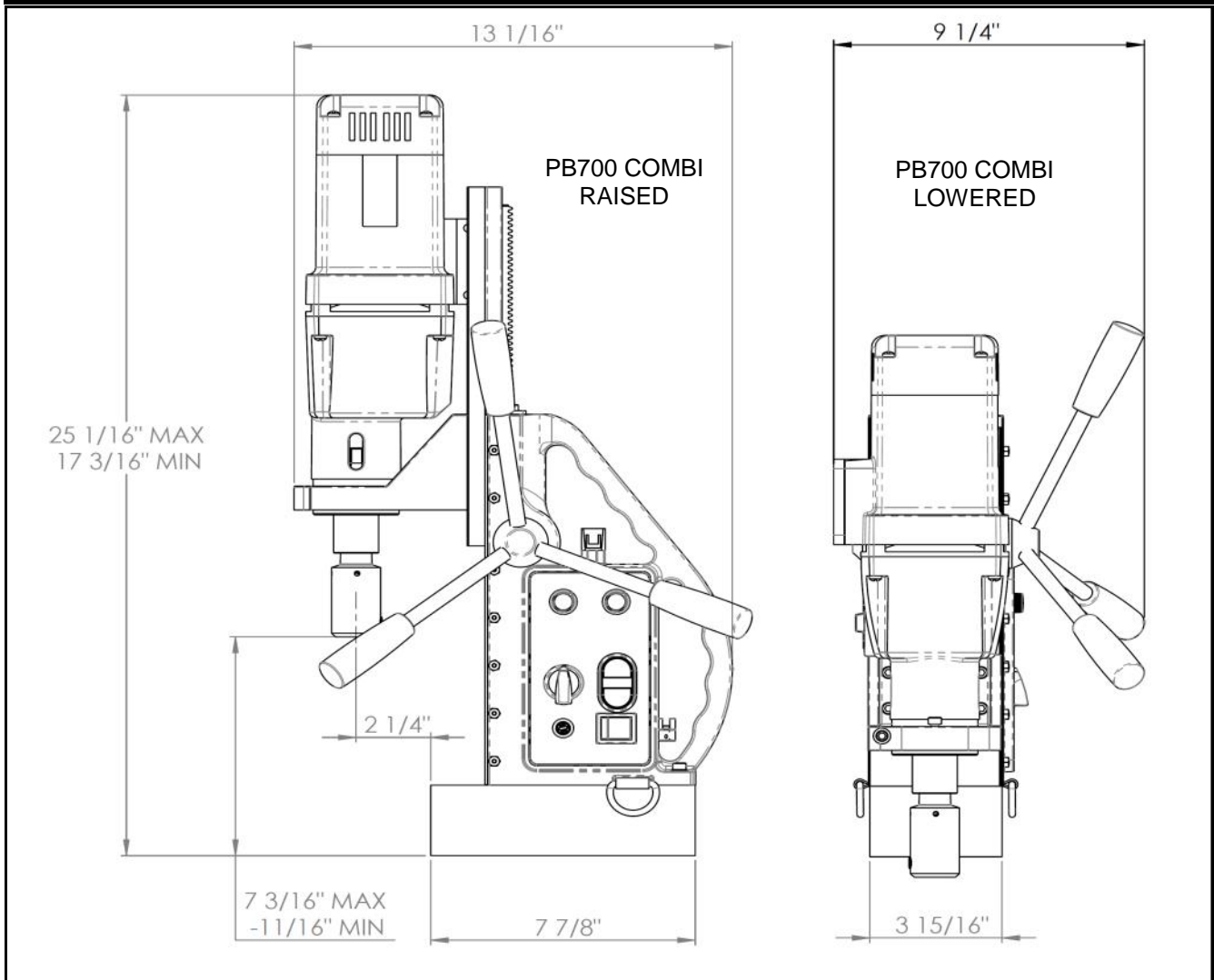
The power cord assembly is a custom terminated one, replacement should only be carried out by a qualified electrician. Only use the replacement parts listed below.

Power cord part number:-

18X503/A

For connection information, should the power cord need to be replaced, please refer to the wiring diagram in this manual or the connection label inside the rear panel of the power tool.

# ILLUSTRATED DESCRIPTION OF FUNCTIONS



## LIMITATIONS ON AMBIENT CONDITIONS

This power tool is has an ingress protection rating of IP20, it should not be used in dusty or damp environments.

The power tool should be used in a weather protected environment.

Precautions should be taken to ensure dust does not enter the ventilation system of the power tool causing clogging and overheating.

Power tools produce sparks that may ignite flammable substances such as gases, flammable liquids or dust.

Do not operate this power tool in a potentially explosive environment.

Ambient temperatures of >113°F should be avoided.

## STANDARD ACCESSORIES

The PB700 Combi is supplied in a rugged carrying case with the following as standard :-

- MT3 to 3/4" Weldon Shank Arbor (2" cut depth)
- Safety Ratchet Strap
- Safety Guard
- 250ml Bottle of Cutting Oil
- Allen Key Set
- Drill Drift

## DISASSEMBLY & TRANSPORTATION

When the machine is not in use it should be stored in the carrying case provided.

Any cutters should be removed after use.

The drill unit should be wound down into a low position.

The three pinion handles need to be removed before placing the tool in the case.

Any additional tools or accessories should be stored in the case.

Make sure the case is securely closed and latches are secure before lifting the carrying case.

## SPECIAL TOOLS

All tools required for the safe operation and maintenance of this power tools are provided within the standard accessories, no additional tools should be required.

## SETTING AND TESTING - USING THE SAFETY STRAP

A ratchet type safety strap is provided.

The power tool has 2 x 'D' loop rings to allow the hooks on the safety strap to be attached securely.

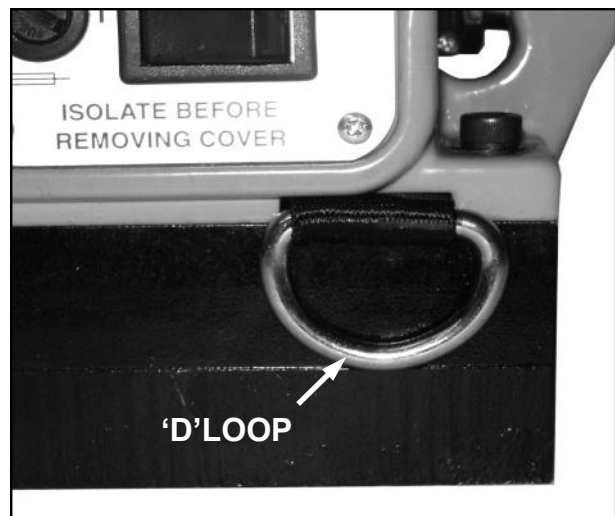
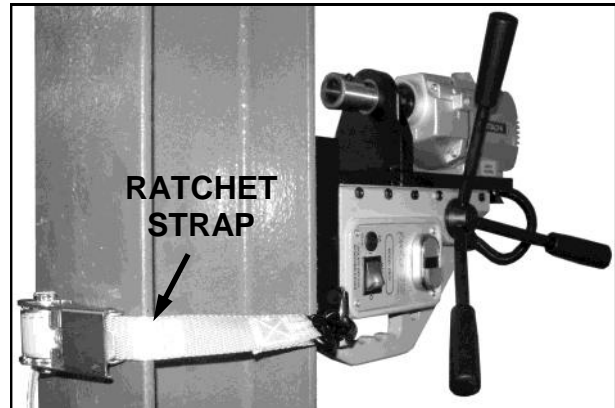
Always ensure the strap is correctly fitted and the machine is secure BEFORE starting the motor unit.

The safety strap is used to reduce the risk of injury in the case of a power supply or electrical malfunction.

The strap will hold the power tool if the electro-magnet loses its magnetic adhesion.

If the strap becomes damaged or lost, it must be replaced BEFORE using the power tool.

DO NOT use the safety strap as an alternative clamping method, the electro-magnet should have good magnetic adhesion at all times whilst using this power tool.



## MOUNTING CUTTERS INTO THE ARBOR

The holder for the cutting tool is known as the arbor. The arbor is designed to accept Powerbor 3/4" Weldon shank annular cutters.

For cutters above 2-1/2" diameter a larger 1-1/4" arbor is required. (Part No.18Y105/A)

The Powerbor annular cutters normally have two flats disposed at 90° to each other.

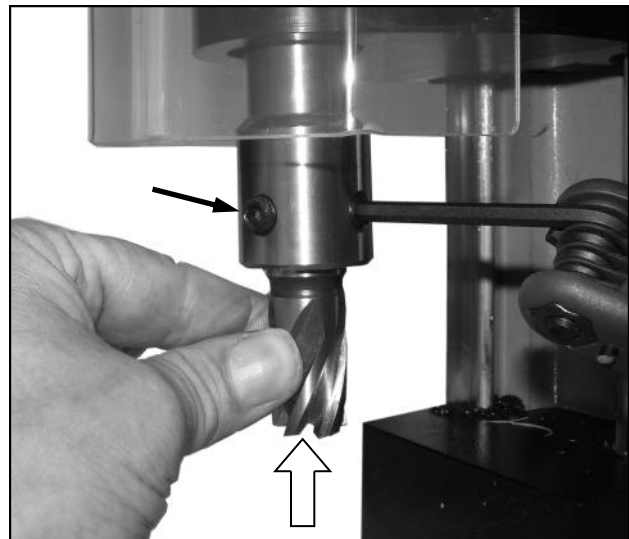
To mount the cutter.

First ensure the ejector pin is in place.

Align the flats with the two fixing screws.

Push the cutter up into the arbor until it stops.

Tighten the two fixing screws onto the cutter flats with the hex keys supplied.



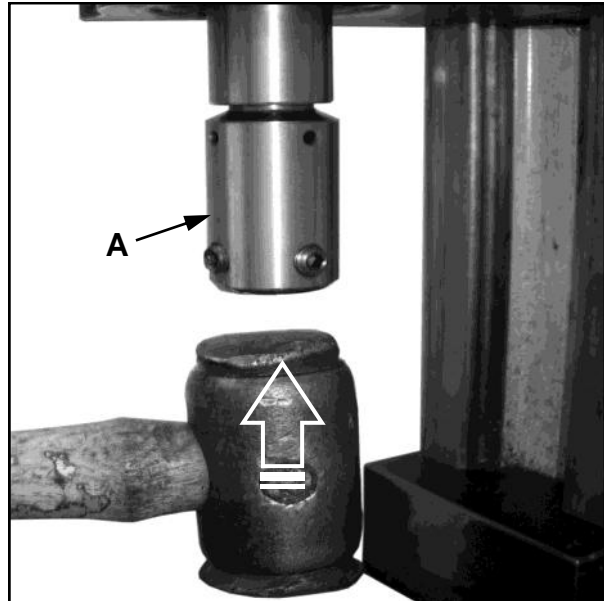
## FITTING THE MT3 ARBOR

To fit the MT3 arbor (A) into the machine.

First ensure that both the arbor and the morse taper socket are clean and free of dirt or debris and have no damage which could prevent the taper from seating correctly.

It may be necessary to turn on the magnet to hold the machine in position. Push the arbor into the spindle and then tap it home firmly, preferably with a copper mallet.

Check the security of the arbor before use.



## REMOVING THE MT3 ARBOR

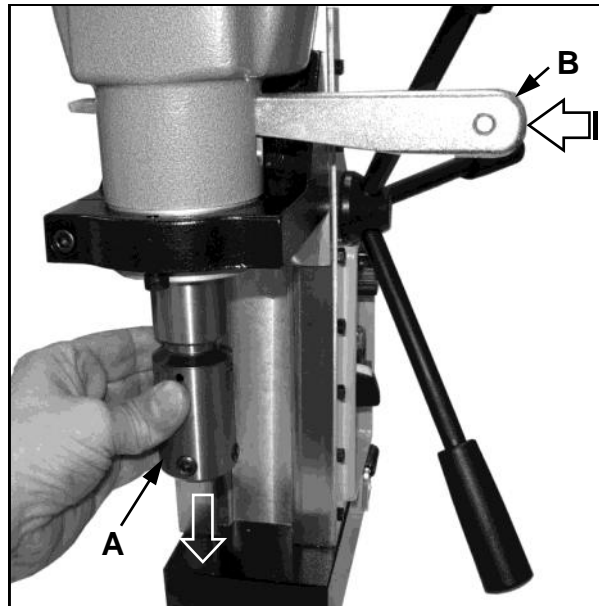
Ensure the machine is turned OFF.

To remove the arbor (A), so that other tools or tool holders can be fitted into the MT3 socket, use the drill drift (B) supplied.

Locate the slot on the side of the gearbox, turn the spindle by hand so that the spindle slot is in alignment with the gearbox housing slot.

Slide the drill drift through the slot, as shown in the diagram opposite. Tap the drill drift where indicated on the diagram whilst supporting the arbor.

When the arbor is free of the taper it can be withdrawn from below.



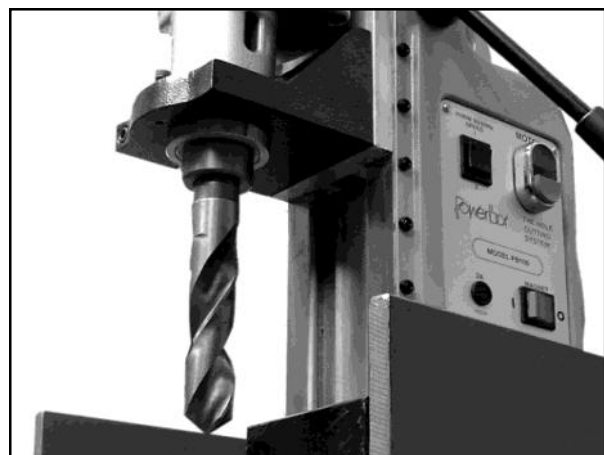
## USING TWIST DRILLS

With the Weldon shank arbor removed, the electro-magnetic drill stand can be used with twist drills or any other suitable cutting tool or holder with a standard MT3 shank.

The PB700 Combi has a twist drill capacity of  $\text{Ø}1\text{-}1/4\text{'}$ .

For smaller twist drills a  $5/8\text{'}$  3 jaw chuck mounted on an MT3 shank can be used.

( $5/8\text{'}$  MT3 Drill Chuck - Part No. 18Y109)



## SAFETY GUARD

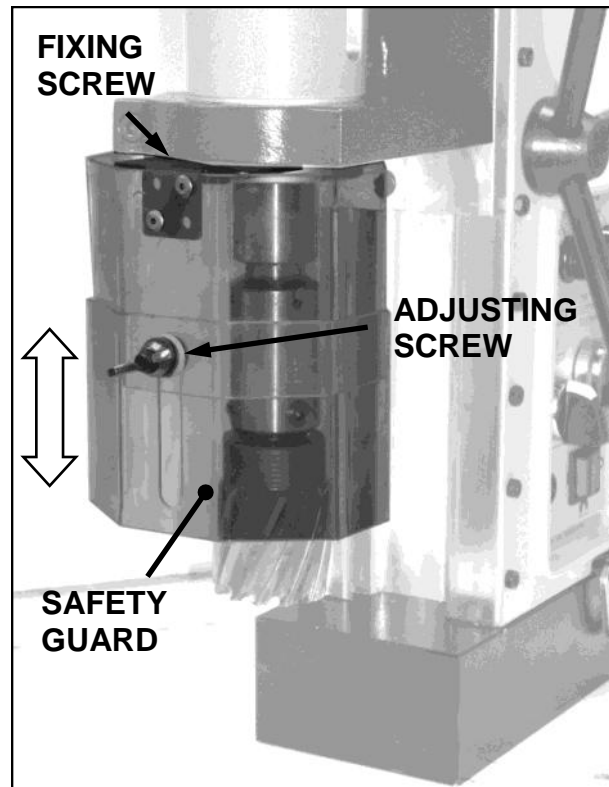
A safety guard is supplied with this power tool, it should be attached BEFORE using the power tool.

The guard is attached at 1 point, by a hexagon socket head fixing screw to the nose bracket. .

The adjusting screw should be tightened just enough to allow the spring washer to hold the guard up.

The guard has approximately 2" of travel which is adequate standard length cutters.

The guard should be adjusted so it is able to slide with light pressure.



## CLAMPING - MAGNET CONTROL

An electro-magnet is used for clamping the tool onto the workpiece.

The magnet is controlled by the magnet switch (F) located at the bottom of the control panel.

'O' indicates magnet OFF 'I' indicates magnet ON.

Ensure the magnet switch is OFF before connecting the power supply.

Ensure the magnet is clean and free from debris and that the machine is on a flat clean ferrous surface of the required minimum thickness (3/8").

To switch the magnet ON, press the switch to the 'I' position, the switch will illuminate to indicate there is a power supply to the machine.

The security of the magnet should always be physically checked BEFORE starting the drill unit.

The magnet is protected by a 20mm 2A fast acting fuse (G).



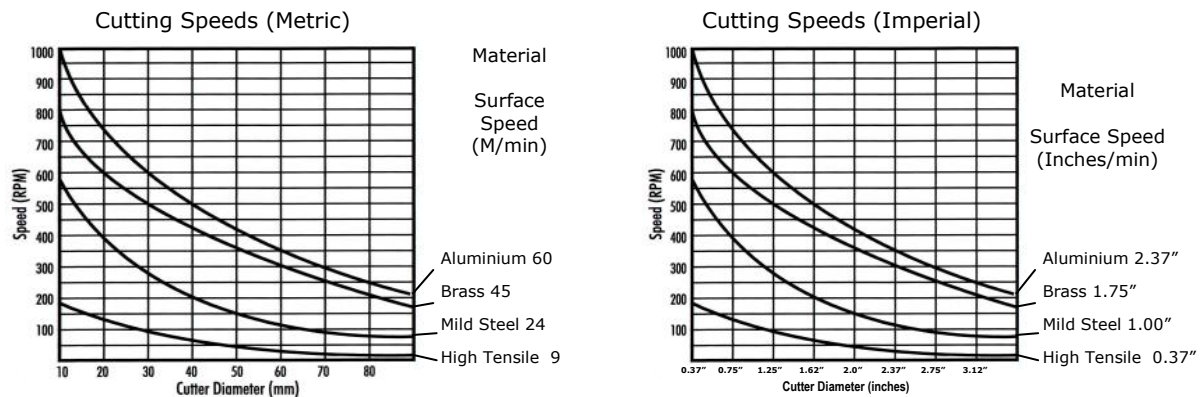
## CUTTING SPEEDS/MATERIALS—HSS CUTTERS

The PB700 Combi is a 2 gear variable speed drill unit with nominal load speeds of 60 - 140 and 200 - 470 rpm. Under load the PB700 will maintain its speed depending on the load applied. It has a torque boost function to adjust the torque gain between 1.4 - 2.8 rated.

The PB700 Combi has the optimum power / torque / spindle speed for HSS annular cutters in the range Ø1/2"mm to Ø 2-3/4", cutting EN10025 S235J steel or its equivalent.

The PB700 Combi can also be used on other materials such as high tensile steel and stainless steel if the appropriate speed for the material to be cut is selected.

Cutting Speeds—suggested speed rates for varying cutter diameters / materials



## WORKPIECE MATERIAL AND SIZE LIMITATIONS - MAGNET

The electro - magnet clamping force is measured as the pull off load when clamped on a steel plate (EN10025 S235J or its equivalent) of 1" thickness, flat with a good surface and free from rust and debris.

For any other workpiece material the clamping force will be different, any difference in workpiece thickness and the clamping force will deviate.

The minimum recommended plate thickness for the electro-magnet is 1/2" thick.

If the workpiece is thinner than recommended then an additional plate, made of suitable material should be added by clamping to the workpiece, this will help the electro-magnet become more secure.

BEFORE using the drill always ensure the magnet is held onto the work piece securely.

## OPERATION - SPINDLE - START / STOP

The drill unit or “motor” is controlled by a twin push button switch (H) on the right of the control panel.

The green button is ON the red button is OFF.

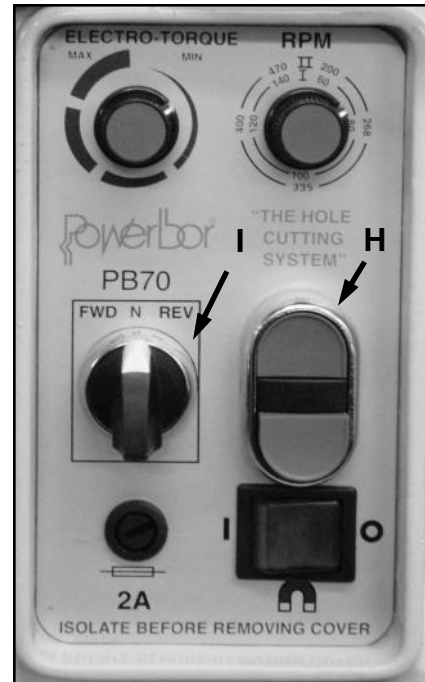
The green button is flush with the surrounding bezel.  
The red button is raised above the surrounding bezel.  
This is to prevent inadvertent operation of the drill unit.

Before operating the motor start/stop switch ensure the direction of rotation is selected first. This is achieved by switching the FWD/REV switch (I)

The motor will not operate unless the magnet is switched ON first.

BEFORE starting the motor, the security of the magnet should be physically checked, if any movement is possible this should be rectified BEFORE using the drill.

The motor control has an under-voltage relay, if the power is interrupted the motor will stop and will not restart when the power is resumed until the motor control is operated again.



## OPERATION - SPINDLE SPEED - GEAR SELECTOR

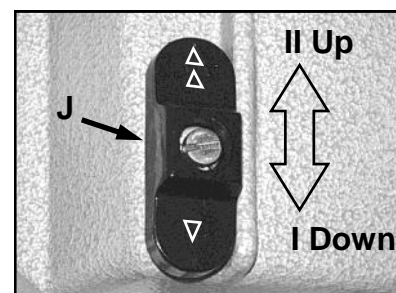
The speed of the motor on the PB700 Combi can be controlled by changing the gear ratio selector (J) to position I or II. The gear selector is located on either side of the drill unit gearbox when viewed from the front.

### Gear Selection

To change the gear ratio, consult the chart on the right or the speed label on the machine, locate the gear selector on the side of the motor gearbox. Press the selector in against the spring, slide up or down to choose the appropriate speed.

The selector has two positions I = Down and II = Up  
The selector may have one or two triangular symbols as shown in the diagram to the right.

As viewed from the front	
SPEED	SELECTOR
200 - 470	Up
60 - 140	Down



## OPERATION - SPINDLE - SPEED CONTROL

The PB700 Combi has variable speed control with load feedback, this means the drill will attempt to maintain the set speed when under load, by compensating electronically.

Speed is adjusted by rotating the speed control knob (K). Available speeds are 60 - 140 with the gearbox in the low gear and 200 - 470 with the gearbox in the high gear.

Always use the gear closest to the speed required, then make fine adjustments electronically.

Slowing the motor too much will reduce the cooling action of the cooling fan and the machine may overheat faster than normal.

## OPERATION - SPINDLE - TORQUE BOOST

The PB700 Combi has electronic torque boost, this can improve the motors ability to maintain its set speed when the speed is low.

Torque can also be reduced if necessary to avoid breakages when tapping holes.

Torque is adjusted by the torque control knob (L), torque can be boosted from minimum to 2.8 times the rated torque. Nominal torque is 57 / 19 ft lb.

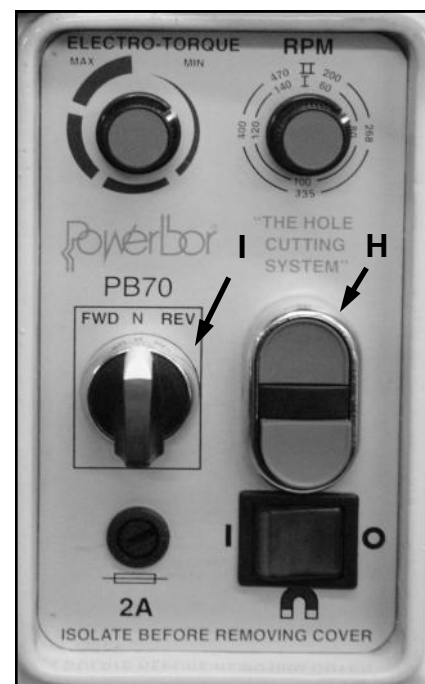
## OPERATION - SPINDLE DIRECTION - FWD / N / REV

The spindle direction should always be selected BEFORE operating the motor start/stop switch (H). The spindle direction switch (I) has 3 positions :-

FWD = Clockwise rotation as viewed from above.  
N = Neutral or Off.  
REV = Anti - Clockwise rotation as viewed from above.

When switching from FWD to REV or REV to FWD always stop the motor first then change the direction before re-starting the motor.

Failure to follow the above procedure could result in damage to the motor or switchgear.



## TAPPING

The PB700 Combi, in addition to drilling with annular cutters, is designed to allow the tapping of screw threads.

The tapping capacity of the PB700 Combi is 1/4" to 1".

This machine has variable speed and both forward and reverse spindle rotation.

Magnetic based drills are normally used for cutting through holes with annular cutters, the tapping facility of this drill is for tapping through holes.

If tapping of blind holes is required then an automatic reversing tapping chuck should be used for best results.

The images below show the available Powerbor taps and holders, these have Powerbor Weldon shanks and fit directly into the 3/4" Weldon shank arbor of the machine.



COMBI DRILL/TAP - 1/4" - 3/8"  
(1/2" With Annular Drill)

2-IN-1 DRILL TAP - 1/2"- 1"

To tap a hole first set up the machine as for drilling with annular cutters in previous chapters. Ensure the machine is secure before commencing any drilling operation.

### Combi Drill/Tap

Drill the hole to the recommended tapping size for the thread to be cut.

Without disengaging the magnet replace the drill with the tap.

Set the spindle speed to the required tapping speed, apply tapping or cutting compound.

Start the drill spindle in the forward direction and feed the tap into the hole until it begins to cut. Once cutting the tap will feed itself through, only gentle pressure on the feed handles should be necessary.

Once the tap has threaded through the plate the drill should be stopped immediately.

The drill spindle should then be switched to reverse and the tap can be fed back out of the hole.

## TAPPING (Cont.)

### 2 - IN - 1 Drill Tap

When using a 2 - IN - 1 Drill Tap, this type of tap is restricted to plate thicknesses of the diameter of the tapping size. ie: 1" = 1" plate. This is due to the length of the plain portion of the shank after the threaded portion.

If the plate to be drilled is thicker than the diameter of the thread to be cut, the Combi type drill and tap should be used.

Position the drill and ensure the security of the magnet on the work piece.

Set the spindle speed to the required speed, drill the hole with the drill portion of the cutter, it may be necessary to slow the speed (depending on size) before tapping.

Always use tapping compound or cutting paste for best results and prolonged cutter life.

Allow the tap the feed through with little or no feed pressure, once the threaded section of the tap is through the drill will stop feeding and just rotate.

Stop the spindle, switch to reverse, help the tap to begin feed up with very light upward pressure on the feed handles.

Once the tap is out of the hole the machine can be removed.

**IMPORTANT** when tapping NEVER switch the machine from forward to reverse without allowing the motor to stop first. Switching directly from forward to reverse can damage the motor and switchgear.

TAPPING SPEEDS rev/min		
Tap Size	Mild Steel	Alloy Steel
1/4"	480	320
5/16"	360	240
3/8"	290	190
1/2"	240	160
5/8"	180	120
3/4"	145	95
1"	120	80

The tapping speeds shown above are for guidance only, condition of the cutter and specific material conditions will dictate actual speeds required.

## OPERATION - REVERSING OF THE HANDLES

The three handles (C) which raise and lower the drill unit are attached to the pinion shaft (D).

These handles and the pinion shaft itself can be turned around so the handles can be used on each side of the machine. This is useful if access is limited on one side of the machine because of the machines location.

The handles are normally mounted on the same side as the controls, if they need to be reversed the following procedure should be used.

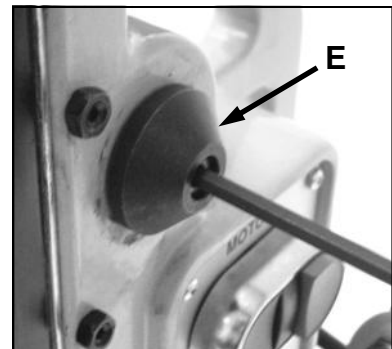
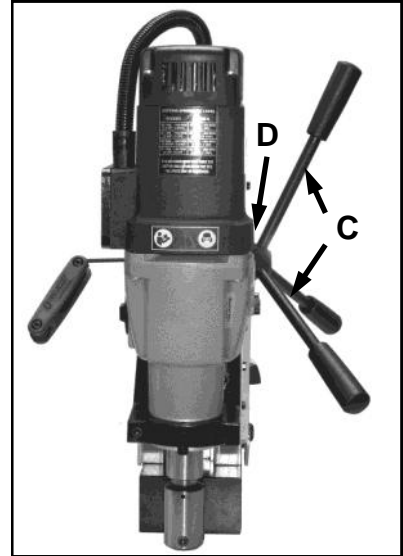
First, the drill unit and its slide should either be supported or put into its lowest position to prevent the risk of it falling when the pinion is disengaged.

The hexagon head cap screw in the end of the pinion shaft end cap (E) should be unscrewed.

The pinion shaft end cap can then be removed, the pinion shaft and handle assembly can be withdrawn.

The pinion shaft and handle assembly can then be mounted on the opposite side of the machine, taking care to ensure the pinion gear teeth engage with the rack teeth.

The pinion shaft end cap and its hexagon head cap screw should then be replaced and re-tightened.



## OPERATION - NORMAL OPERATOR POSITION

The normal operator position is as shown in the image on the right, in general it is best to use the machine from in front of the control panel so that all the operator controls are visible and easily accessed.

There are occasions with this type of machine that it is used horizontally or even upside down. Extra care should be taken in these circumstances and access to the machine controls should be maintained.

The pinion shaft can be reversed on this type of machine to allow the drill better access in confined spaces. When the handles are reversed, again the operator should still have full access to the control panel before using the machine.



## **OPERATION - USING THE DRILL WITH ANNULAR CUTTERS**

Insert the correct pilot pin into the pilot pin hole through the shank of the cutter.

Mount the cutter in the tool holder (arbor) of the machine as described in previous chapters, ensuring the cutter is secure and correctly fitted.

Position the machine on the work piece ensuring the magnet is on a flat clean ferrous surface and the work piece is not below the minimum recommended thickness.

Use the pilot pin to align the centre of the cutter to the desired hole position.

Switch on the magnet and physically check the machine is securely adhered to the work piece.

Once in position, attach the safety strap, if the magnetic adhesion fails for some reason the safety strap will reduce movement of the machine.

Apply cutting fluid through the small holes in the arbor, the arbor has a small reservoir for coolant which is fed down through the central pin hole to the cutter. The use of cutting fluid will enhance the quality of the cut and prolong the life of the cutter.

Lower the safety guard provided.

Switch on the drill motor, feed the cutter down by using the three handles provided. Proceed with caution, apply pressure gradually until the cutter has formed a groove of approx 1/8". Once a groove is established the pressure can be increased.

DO NOT apply excessive pressure, if excessive pressure is required it is a sign the cutter may be worn, continuing to use a worn cutter will result in damage to the drill motor.

If the drill motor slows significantly under load ease off the downward pressure.

On deep holes it may be necessary to withdraw the cutter to remove swarf and to apply more cutting fluid.

A cutter in good condition will need only moderate feed pressure and will produce continuous chips or swarf. Broken chips or swarf indicate a cutter or material problem, so care should be taken.

## **OPERATION - BLOCKAGES OF CHIPS AND WORKPIECE FRAGMENTS**

If excessive swarf builds up during the cut it may be necessary to withdraw the cutter to remove the swarf, care should be taken as the swarf will be both hot and sharp.

As the cutter begins to break through, the feed pressure should be reduced slightly.

When the cutter breaks through, a slug of material at the centre of the cut will be ejected. This will be both hot and sharp. Care should be taken when handling the slug.

Care should be taken that the ejection slug is safe and can not injure anyone in the vicinity, the slug should be prevented from falling where possible.

## MOTOR PROTECTION

The PB700 Combi has both a mechanical clutch and electronic overload protection to protect the motor from overload situations.

If the mechanical clutch operates, the spindle will stop and a rapid clicking sound from the motor and gearbox will be heard, reduce the feed rate or withdraw the cutter to resume.

If the electronic overload operates, the spindle will stop and will not restart until the motor has cooled down, in this case the motor should be switched off until the short cooling period has passed, then the motor can be re-started.

If either of these fail safe features operate whilst drilling, the cause of the overload should be investigated before carrying on.

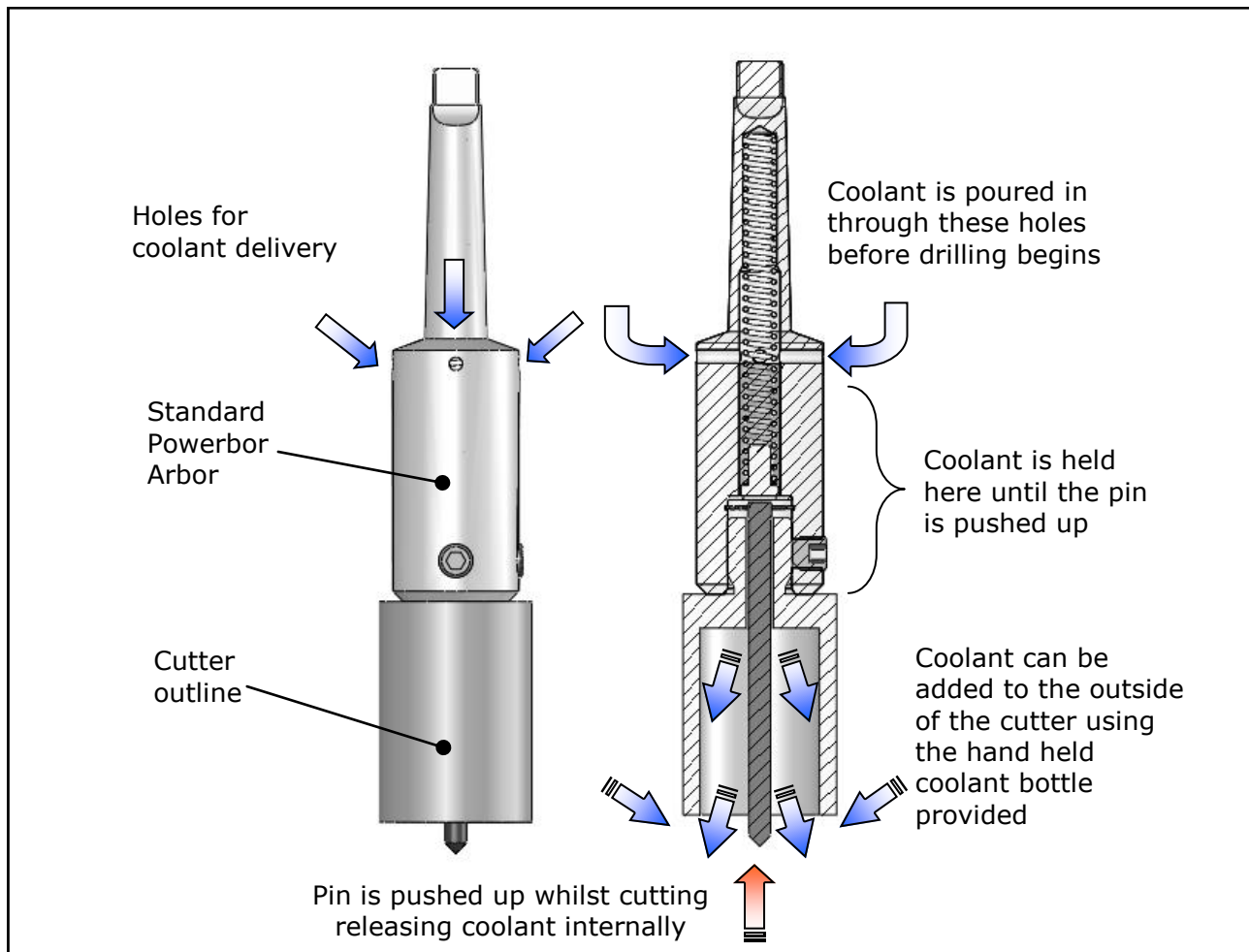
## OPTIONAL COOLANT SYSTEM

The arbor supplied with PB700 Combi has an internal reservoir for coolant built in.

If additional coolant capacity is required, an external coolant system which feeds through the arbor is available.

This system must be specified at time of purchase, as the external coolant system can not be retro fitted to existing machines.

## STANDARD MT3 ARBOR COOLANT FEED SCHEMATIC



## MAINTENANCE - GENERAL

To keep this machine in a safe working condition regular certain maintenance is required.

1. The gib strip on the dovetail slide must be adjusted to eliminate any free play.
2. The dovetail slides will need to be lubricated with oil periodically.
3. The magnetic base should be inspected for damage on its magnetic surface or for any damage to the resin, any damage should be repaired before using the drill.
4. A monthly inspection of the carbon brushes is recommended, excessive wear could lead to motor damage or malfunction.

## MAINTENANCE - REPLACING BRUSHES

The carbon brushes are located under the motor end cap, to remove this, unscrew the 4 fixing screws and withdraw the end cap.

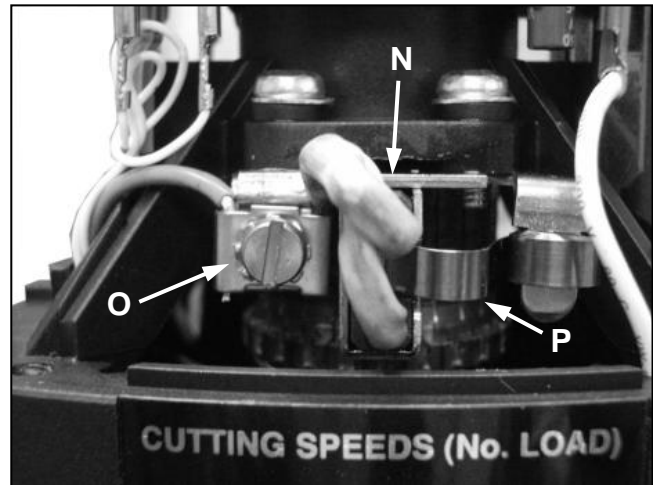
The carbon brushes (N) can then be removed by unscrewing the screw (O) and pulling out the spring (P).

The brush can then be removed, simply withdraw the brush to inspect or replace it.

When replacing the brush, slide it into the brush holder, replace the spring (P) and

connect the wires with the fixing screw (O), then replace the motor end cap.

The brushes on this drill unit have an auto stop feature, when the brush reaches its wear limit the motor will stop until the brushes are replaced. For best performance and reliability always use genuine replacement parts

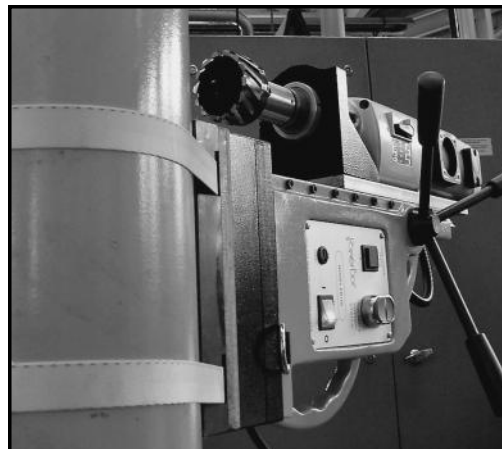


## ACCESSORIES



18Y170  
CHUCK ADAPTOR

This allows a drill chuck to be quickly placed into the arbor of the machine.



18YPIPE PIPE CLAMP

This allows the drill to be mounted on a pipe or cylindrical object, the magnet attaches to the "saddle" so the material of the workpiece does not need to be magnetic.



18Y109  
MT3-5/8" DRILL CHUCK

This allows the machine to use any tool with a parallel shank up to 5/8" diameter.

## MAINTENANCE - TOOL USE AND CARE

Always ensure the work piece is secure and stable before attempting to work on it.

Do not force the tool, always use the correct type of cutting tool for your application and use it at the rate it was designed to work at.

Do not use the power tool if the power switch does not turn it on or off, any tool which can not be turned on or off with the switch is dangerous and must be repaired before use.

Always disconnect the plug from the power supply before making any adjustments, changing accessories or storing the tool. This will prevent the risk of the starting the tool accidentally.

Always store tools not in use out of reach of children and untrained persons. Tools are dangerous in the hands of an untrained user.

Maintain all cutting tools with care, keep them sharp and clean, properly maintained tools with sharp edges are less likely to bind and will be easier to control.

Do not operate the power tool with dull or damaged cutting tools, this may overload the motor.

Check the power tools periodically for misalignment or binding of moving parts, also broken parts or any other condition that may affect the tools operation. If damaged have the tool serviced before using, Poorly maintained tools can cause accidents.

Use only Powerbor recommended accessories, accessories made for other power tools may not be suitable and could become hazardous when used.

## SERVICE

Only trained repair personnel should perform tool service. Service or maintenance performed by untrained personnel could result in a risk of injury.

When servicing the power tool, only use identical replacement parts, pay attention to the power tools voltage rating and model number to ensure the correct replacement parts are specified.

## WARRANTY

### POWERBOR WARRANTY STATEMENT

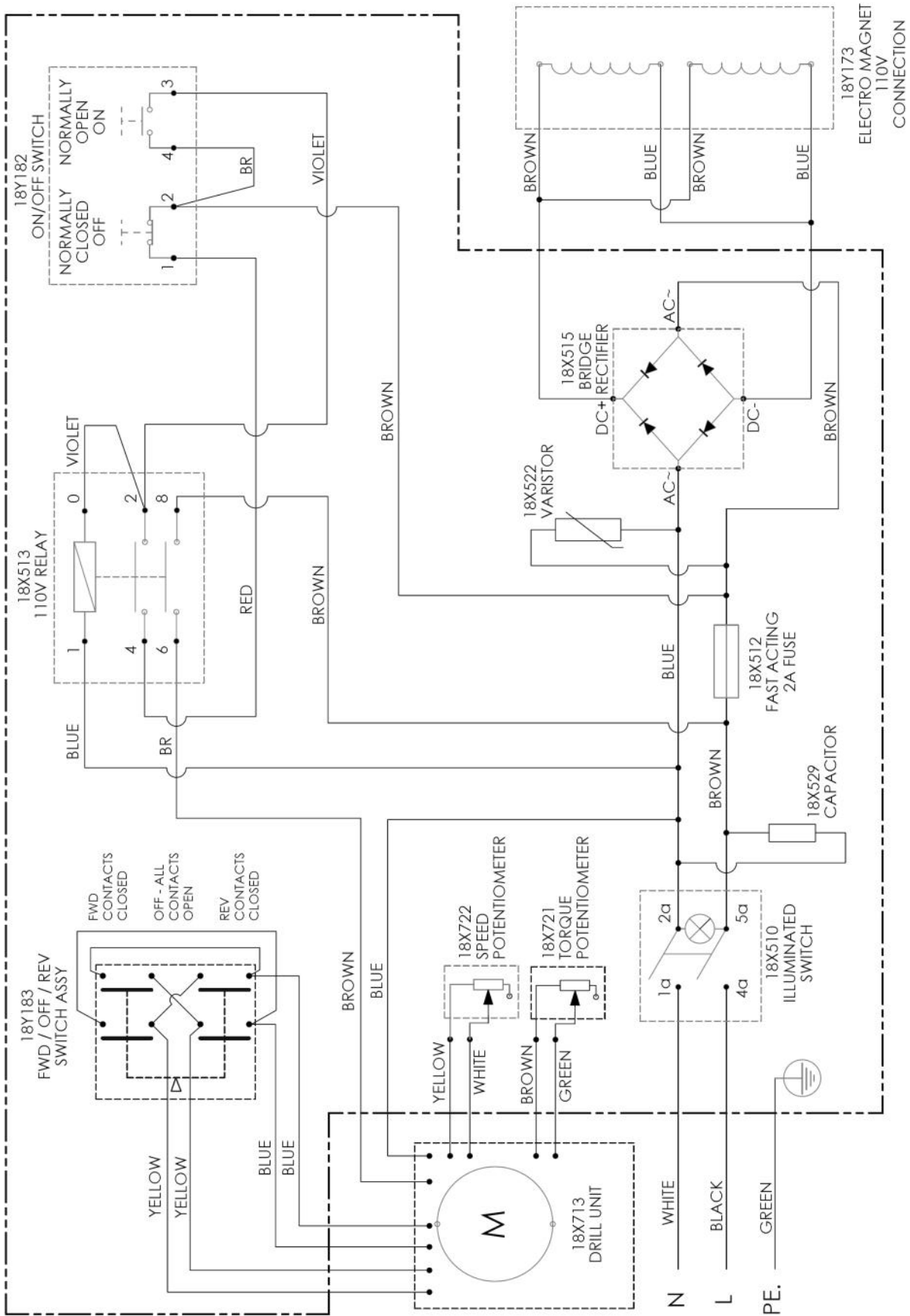
Powerbor warrants its magnetic drills for one (1) year from the date of purchase against defects due to faulty material or workmanship and will repair or replace (at its option) without charge, any items returned. This warranty is void if the item has been damaged by accident or unreasonable use, neglect, improper service or other causes not arising out of defects in material workmanship. No other expressed warranty is given or authorised. Powerbor disclaims any implied warranty of merchantability or fitness for any period beyond the expressed warranty, and shall not be liable for incidental or consequential damages. To obtain warranty service, return the item(s) to your nearest factory authorised repair centre.

**This warranty is on lieu of any other warranty, expressed or implied, including any warranty of merchantability or fitness for a particular purpose.**

# PB700 COMBI WIRING DIAGRAM

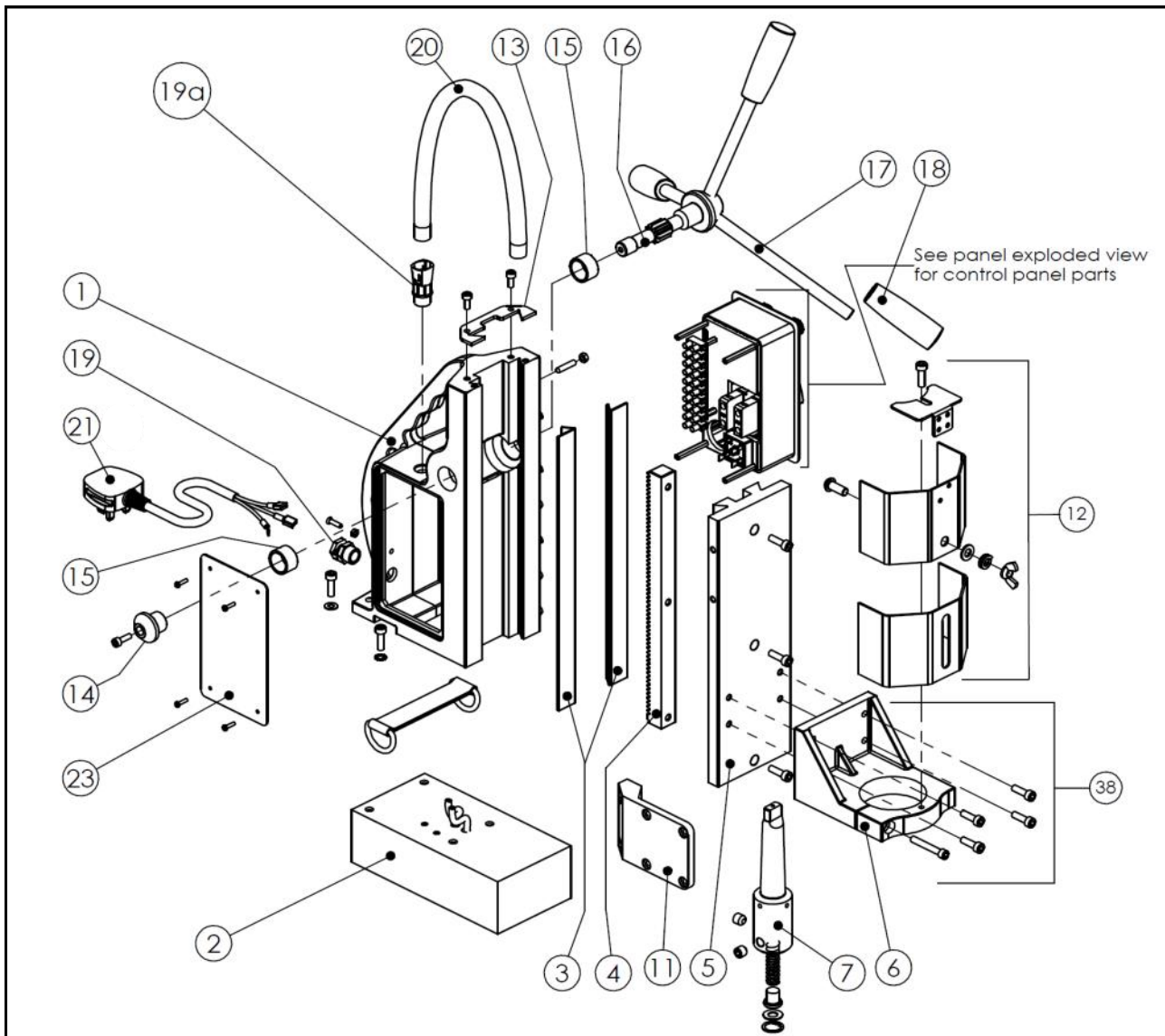
## POWERBOR PB700 COMBI

## WIRING 110V-US



# POWERBOR PB700 COMBI

# STAND PARTS



ITEM	Part No.	Description
1	18Y172	MAIN BODY CASTING
2	18Y173	ELECTRO-MAGNET BASE
3	18X716	BRASS GUIDES (PAIR)
4	18Y142	MACHINE RACK
5	18X717	DOVETAIL SLIDE
6	18X6051	LOWER SUPPORT BRACKET
7	18Y102	MT3 ARBOR ASSEMBLY
11	18Y176	SIDE BRACKET
12	18Y153	DRILL GUARD
13	18X612	RETAINING BRACKET
14	18X523	PINION BUSH
15	18X502	25 X 20 X 15 BUSH
16	18Y174	PINION SHAFT
17	18X718	12MM HANDLE
17&18	18Y175	HANDLE & KNOB
18	18X520	KNOB
19	18X430	CABLE STRAIN RELIEF GLAND

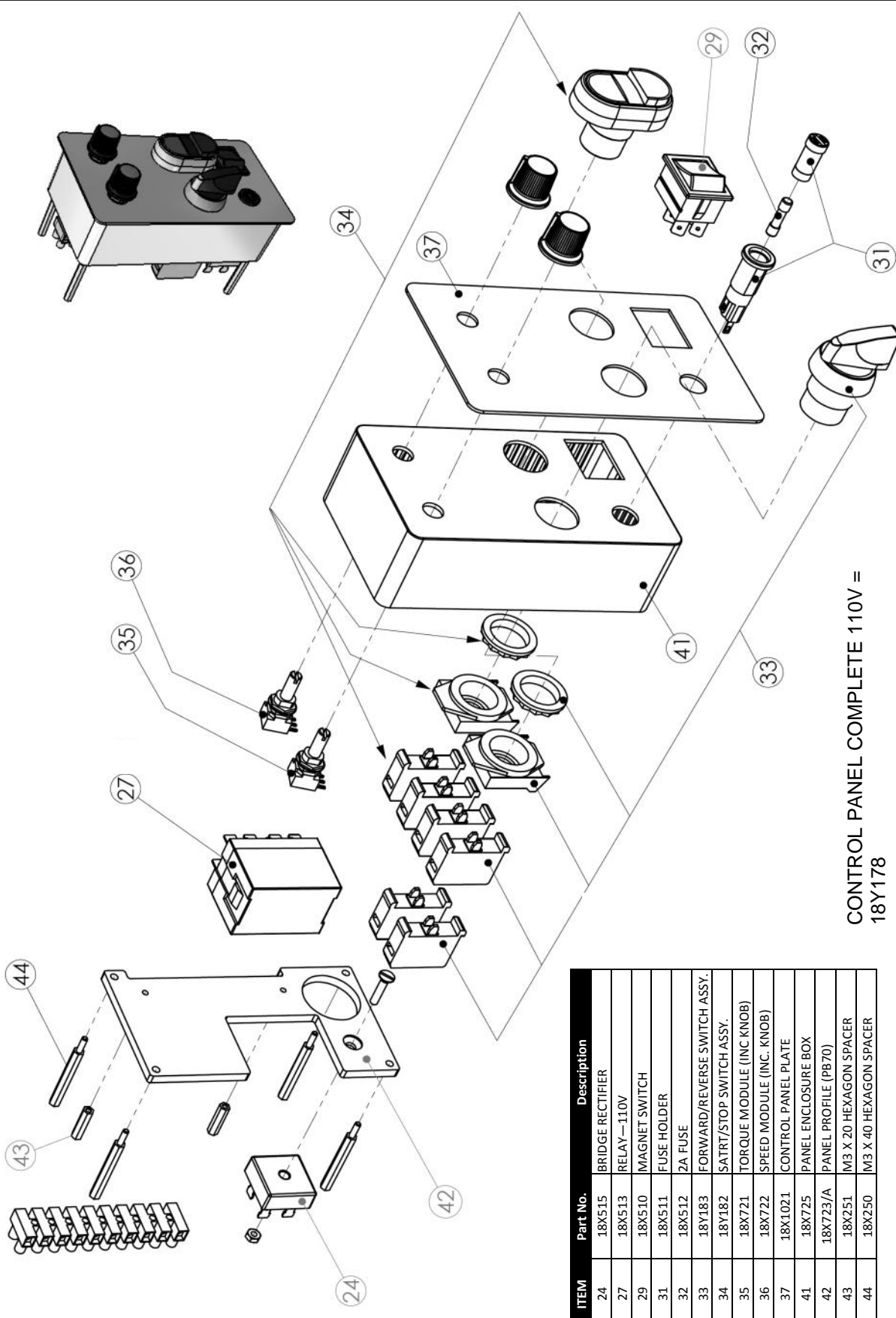
ITEM	Part No.	Description
19A	18X723	M16 GLAND
20	18Y177	CONDUIT ASSEMBLY
21	18X503/A	MAINS CABLE 110V US
23	18X1026	REAR PLATE
24	18X515	SILICON BRIDGE RECTIFIER
26	18X714	LASER PROFILE
27	18X513	RELAY—110V
29	18X510	MAGNET SWITCH
31	18X511	FUSE HOLDER
32	18X512	2A FUSE
34	18Y182	START/STOP SWITCH ASSEMBLY
37	18X1021	CONTROL PANEL PLATE
38	18Y192	LOWER SUPPORT BRACKET
39	18Y178	CONTROL PANEL COMPLETE—110V

SHADED PARTS IN THE TABLE ABOVE ARE SHOWN ON THE CONTROL PANEL EXPLODED VIEW.

# PB700 COMBI CONTROL PANEL PARTS DIAGRAM

**CONTROL PANEL**

**POWERBOR PB700 COMBI**

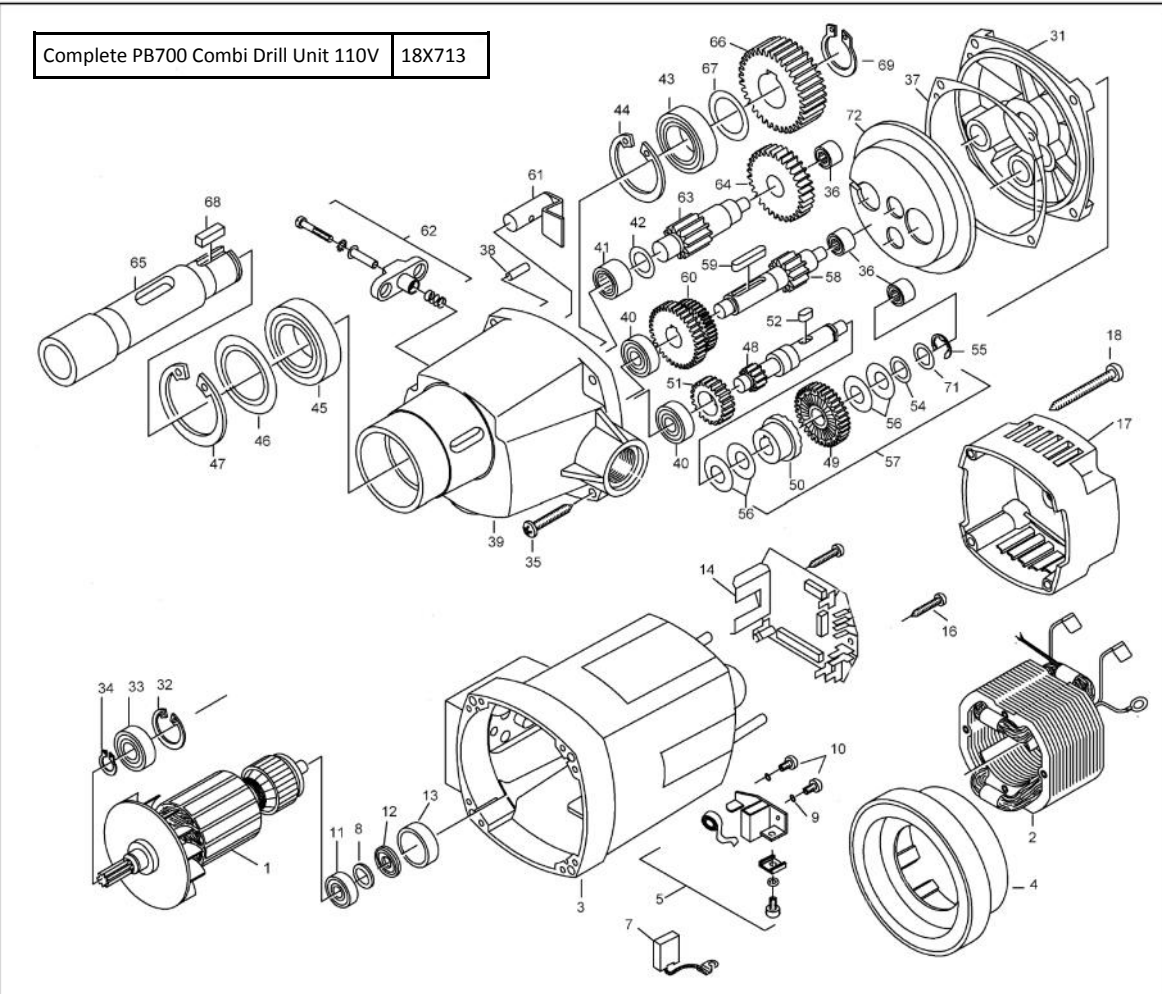


CONTROL PANEL COMPLETE 110V =  
18Y178

ITEM	Part No.	Description
24	18X515	BRIDGE RECTIFIER
27	18X513	RELAY—110V
29	18X510	MAGNET SWITCH
31	18X511	FUSE HOLDER
32	18X512	2A FUSE
33	18Y183	FORWARD/REVERSE SWITCH ASSY.
34	18Y182	SATRT/STOP SWITCH ASSY.
35	18X721	TORQUE MODULE (INC KNOB)
36	18X722	SPEED MODULE (INC. KNOB)
37	18X1021	CONTROL PANEL PLATE
41	18X725	PANEL ENCLOSURE BOX
42	18X723/A	PANEL PROFILE (PB70)
43	18X251	M3 X 20 HEXAGON SPACER
44	18X250	M3 X 40 HEXAGON SPACER

# POWERBOR PB700 COMBI

# DRILL UNIT PARTS

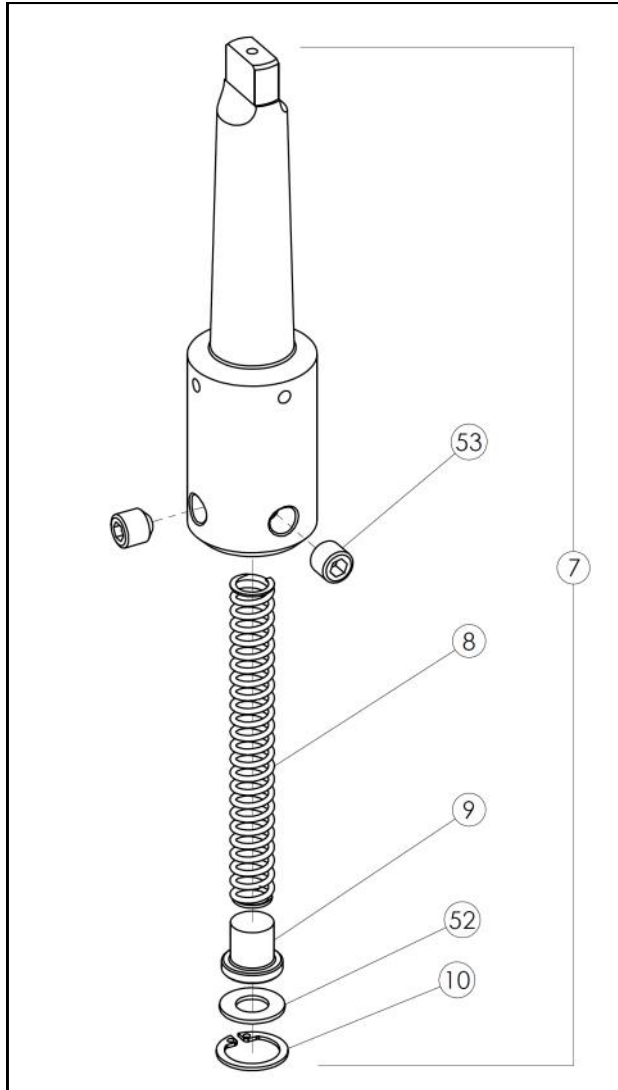


Complete PB700 Combi Drill Unit 110V 18X713

Item No.	Part Number	Description
1	18ZD01	ARMATURE - 110V - EIB 7152H100
1a	18ZD01A	ARMATURE - 230V - EIB 7152H100/A
2	18ZD02	FIELD COIL - 110V - EIB 7142B150
2a	18ZD02A	FIELD COIL - 230V - EIB 7142B150/A
3	18ZD03	MOTOR HOUSING - EIB 7742A200
4	18ZD04	AIR GUIDE RING - EIB 71540140
5	18ZD05	BRUSH HOLDER - EIB 80201199
6	18ZD06	CONTACT WASHER - EIB 73320210
7	18ZD07	SET CONTACT BRUSHES - EIB 80700021
8	18ZD08	WASHER - EIB 73320999
9	18ZD09	SPRING WASHER - EIB 80201385
10	18ZD10	SCREW - EIB 80201180
11	18ZD11	GROOVED BEARING - EIB 80410021
12	18ZD12	RING MAGNET - EIB 80701002
13	18ZD13	BEARING CAP - EIB 73320315
14	18ZD14	CIRCUIT BOARD - 110V - EIB 714B280
14a	18ZD14A	CIRCUIT BOARD - 230V - EIB 714B280/A
16	18ZD16	CIRCUIT BOARD SCREW - EIB 80201260
17	18ZD17	MOTOR HOUSING CAP - EIB 7152B240
18	18ZD18	MOTOR CAP SCREW - EIB 80201267
31	18ZD31	GEAR CAP - EIB 7152B610
32	18ZD32	SAFETY RING - EIB 80201333
33	18ZD33	GROOVED BEARING - EIB 80410032
34	18ZD34	SAFETY RING - EIB 80201320
35	18ZD35	GEAR HOUSING SCREW - EIB 80201292
36	18ZD36	NEEDLE BEARING - EIB 80420110
37	18ZD37	GEAR BOX SEAL - EIB 74429620
38	18ZD38	PIN - EIB 80200280
39	18ZD39	GEAR BOX HOUSING - EIB 71521400
40	18ZD40	GROOVED BEARING - EIB 80410030
41	18ZD41	NEEDLE BEARING - EIB 80422001

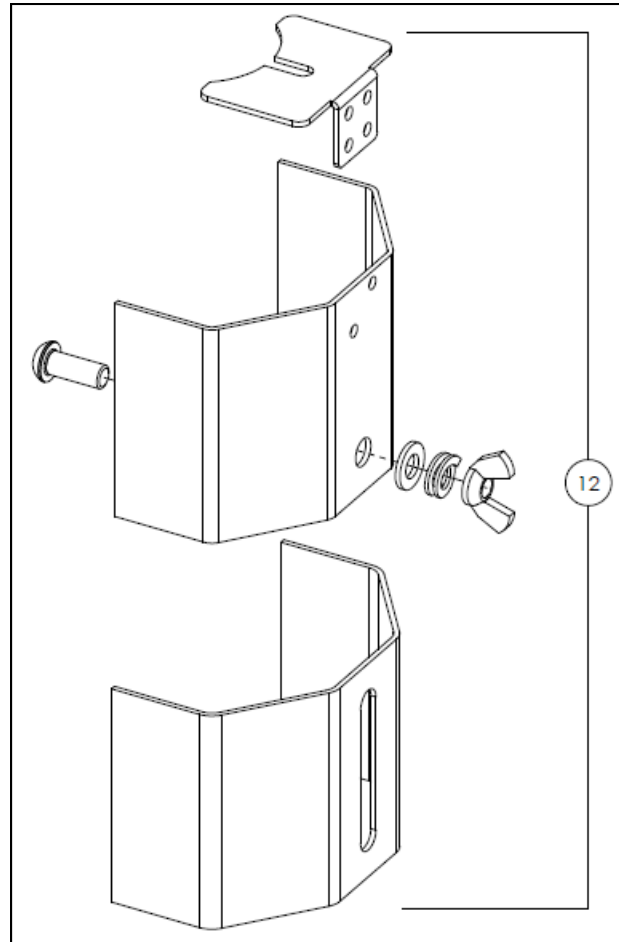
Item No.	Part Number	Description
42	18ZD42	WASHER - EIB 71740717
43	18ZD43	GROOVED BEARING - EIB 80410151
44	18ZD44	SAFETY RING - EIB 80201336
45	18ZD45	GROOVED BEARING - EIB 80410070
46	18ZD46	WASHER - EIB 71540426
47	18ZD47	SAFETY WASHER - EIB 80201338
48	18ZD48	INTERMEDIATE SHAFT 1 - EIB 71521490
49	18ZD49	COUPLING WHEEL - EIB 74326550
50	18ZD50	COUPLING HALF - EIB 71540560
51	18ZD51	INTERMEDIATE GEAR 1 - EIB 71521470
52	18ZD52	FITTING KEY SPRING - EIB 71540495
53	18ZD53	WASHER - EIB 80200502
54	18ZD54	WASHER - EIB 71540607
55	18ZD55	WASHER - EIB 80201361
56	18ZD56	WASHER - EIB 80200713
57	18ZD57	GEAR COUPLING - EIB 74326493
58	18ZD58	INTERMEDIATE SHAFT 2 - EIB 71521500
59	18ZD59	FITTING SPRING KEY - EIB 80200602
60	18ZD60	CLUSTER KEY - EIB 71521440
61	18ZD61	COUPLING BOLT - EIB 71521520
62	18ZD62	GEAR SWITCH - EIB 71540545
63	18ZD63	INTERMEDIATE SHAFT 3 - EIB 71521510
64	18ZD64	INTERMEDIATE GEAR 2 - EIB 71521480
65	18ZD65	INTERNAL SPINDLE - EIB 71540420
66	18ZD66	SPINDLE WHEEL - EIB 71540430
67	18ZD67	WASHER - EIB 80200509
68	18ZD68	FITTING SPRING KEY - EIB 80200604
69	18ZD69	SAFETY RING - EIB 80201324
71	18ZD71	WASHER - EIB 71540606
72	18ZD72	GEARBOX COVER - EIB 7152B625

## MT3 ARBOR

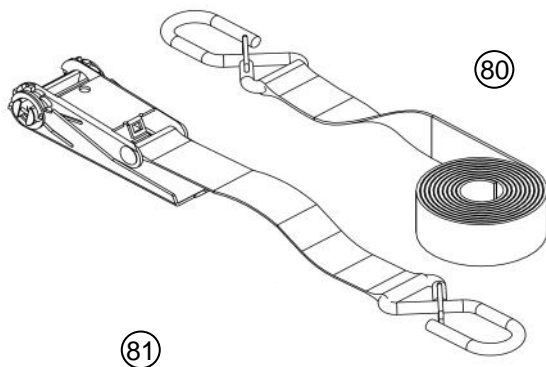


Item	Part No.	Description
7	18Y102	MT3 ARBOR COMPLETE
8	18X6271	MT3 ARBOR SPRING
9	18X628	MT3 ARBOR PISTON
10	18X206	19MM INTERNAL CIRCLIP
52	18X207	MT3 ARBOR WASHER
53	18X204	M10 x 10 CUP POINT SCREW

## PB700 COMBI DRILL GUARD



Item	Part No.	Description
12	18Y153	DRILL GUARD



## PB700 COMBI SAFETY

Item	Part No.	Description
80	18X535	HOOK STRAP ASSEMBLY
81	18X533	RATCHET STRAP ASSEMBLY

## CE Declaration of Conformity

On our sole responsibility we declare that this product, the Powerbor PB700 COMBI Drill, is in conformity with the following standards and standard documents :-

- EN61029-1:2009 - Safety of Transportable Motor Operated Electric Tools
- EN61000-6-2:2005 - Electromagnetic Compatibility (EMC). Generic standards. Immunity standard for industrial environments
- EN61000-6-4:2007 - Electromagnetic compatibility (EMC). Generic standards. Emission standard for industrial environments

According to the regulations :-

- 2006/95/EC - Low Voltage Directive
- 2004/108/EC - EMC Directive
- 2006/42/EC - Machinery Directive

Signed  .....  
(P.D.Edwards - Managing Director)

Date....19.04.11

G&J Hall Inc  
830 Hanley Industrial Court  
Brentwood  
MO 63144  
United States of America

Phone: (314) 968-5040  
Fax: (314) 968-5543  
Email: sales@gjhalltools.com  
Web: www.gjhalltools.com

### WARRANTY REGISTRATION

Thank you for purchasing your Powerbor® magnetic based drilling machine. To ensure any warranty claim can be processed promptly, please register your machine, now, on-line at :-

<http://www.gjhall.co.uk>

Click on the button on the left "POWERBOR WARRANTY REG"